

Manual

---

# **Return Procedure Preventive Parts Service**

## **Outside the European union**

*Version 1, June 1 2026*

## 1 Return procedure for CO<sub>2</sub> sensors and Humidity sensors

Please check the conditions of Sensor Calibration on <http://hatchtech.com/hatchtech-care-services> and Follow the steps described below:

1. Buyer will replace the old to Calibrate sensor(s) with the received Calibrated sensor(s) from The HatchTech Care Service.
2. Buyer sent the to Calibrate sensor(s) in accordance with Delivered Duty Paid (DDP) Incoterms® 2020 and including a packing list within 1 month after receiving sensors to:

HatchTech B.V.  
Attn.: HatchTech Repair Department  
Innovatielaan 3  
6745 XW De Klomp  
The Netherlands

*Please, make sure that de number of sensors (received and to be shipped) are equal and without visual damage and/or water damage (Annex B).  
Missing Packing Lists and Commercial invoices might cause delays and mistakes in processing.*

### **Packing List**

Some important details to include in the Packing List are:

- Date
- Shipper and exporter contact information
- Consignee contact information
- The origin address of cargo
- The destination address of cargo
- Total number of packages within this shipment
- A detailed description of each package
- The volume and weight of each package
- A description and quantity of the Goods of each package
- The volume and weight of the entire shipment

### **Commercial Invoice**

When creating a Commercial Invoice, make sure to include as much detail as possible about the shipment. Some important details to include are:

- Date
- Shipper and exporter contact information
- Consignee contact information
- The origin address of cargo
- The destination address of cargo
- Packing List number for this shipment
- (Total) values of the Goods in EUR
  - HatchTech advises using the Costs of the Goods and HS codes as displayed on <http://hatchtech.com/hatchtech-care-services>

3. Buyer sends the Packing List and Return Form Preventive Parts Service included with HatchTech reference (Annex A) to [repair@hatchtech.com](mailto:repair@hatchtech.com).
  4. Buyers includes a hardcopy of the Return Form Preventive Parts Service included with the HatchTech reference (Annex A), Packing List and the Commercial Invoice to the shipment.
  5. After receiving to calibrated sensors, our HatchTech Repair Department will check the Care Service Agreement, the correct number of sensors and defects such as visual damage and/or water damage. In case of receiving an unequal number of sensors and/or defects such as visual damage and/or water damage (Annex B), HatchTech will sent an invoice for the number of this difference calculated as new sensor.
-

# Return Form Preventive Parts Service

CONTACT DETAILS	
Company Name	
Street Address	
City / State / ZIP	
Email Address	
Phone	
Contact person	
Reference number	

ITEM					
ITEM NO.	DISCRIPTION	HS code	Price	QTY SENSOR RECEIVED	QTY SENSOR RETURNED
D-16285	CO2 Sensor GMP 252	90271010	€ 0,60		
D-01200	Humidity Sensor	9027899000	€ 0,34		

It is not allowed to use this Service of Calibrating Sensors without a HatchTech Care Service Essential.

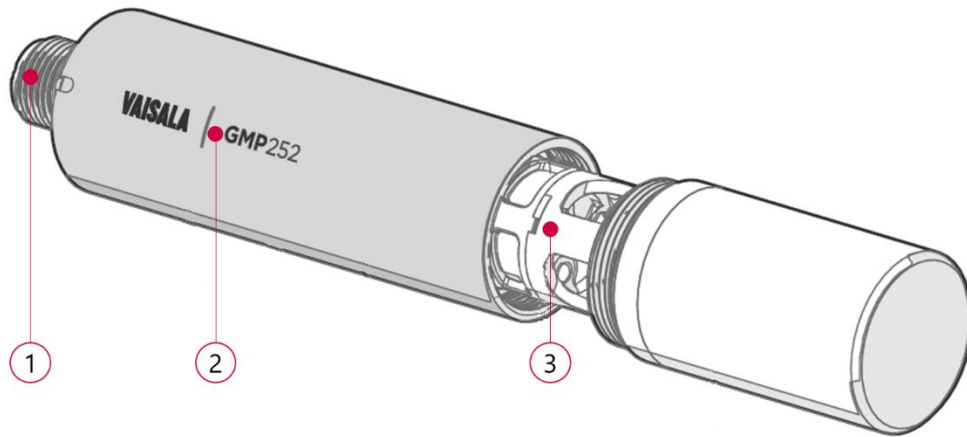
I would like to receive damaged sensor back in case of non-reparable and I accept the extra shipment costs:

YES  NO

- The customer is responsible for the transport costs, HatchTech will ship those goods under delivery term DAP.
- Your damaged sensor will be shipped separately from your repaired parts.

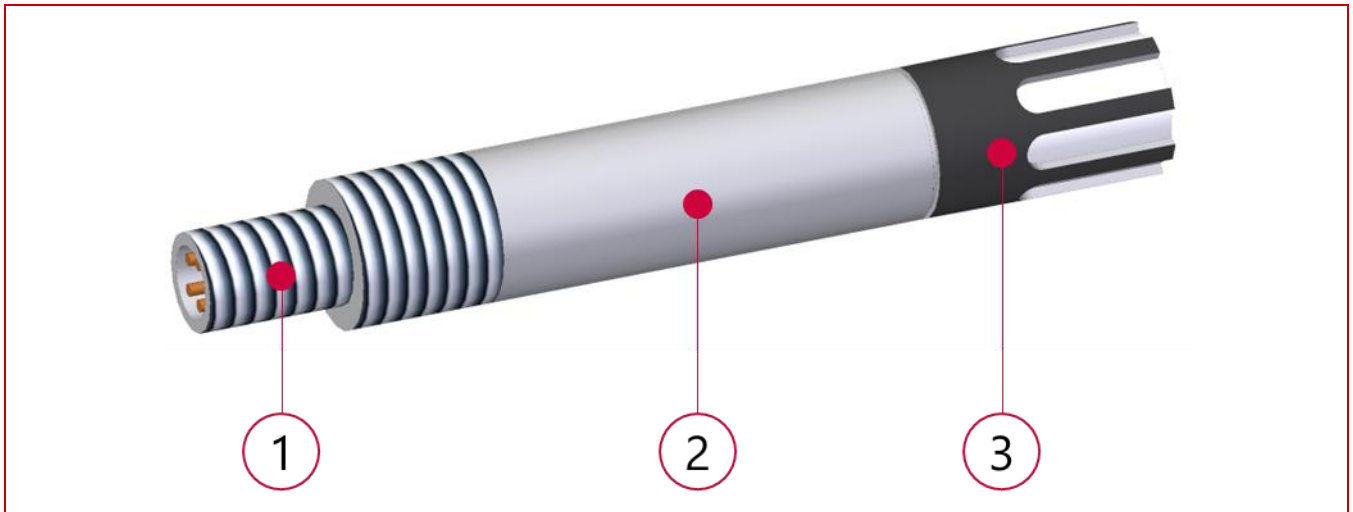
## Annex B

# TI-D-16285 Extreme Damage



1. Check 5-pin M12 connector (1).
  - If the thread is damaged to such an extent that a connection cable can no longer be screwed on → reject sensor TK-16285.
  - If pins are damaged / missing → reject sensor TK-16285.
2. Check probe body (2).
  - If probe body is cracked → reject sensor TK-16285.
3. Check measurement cuvette (3).
  - If measurement cuvette is cracked → reject sensor TK-16285.

## TI-D-01200 Extreme Damage



1. Check 5-pin M12 connector (1).
  - If the thread is damaged to such an extent that a connection cable can no longer be screwed on → reject sensor TK-01200.
  - If pins are damaged / missing → reject sensor TK-01200.
2. Check probe body (2).
  - If probe body is cracked → reject sensor TK-01200.
  - If filter cap (3) is cracked → continue.